

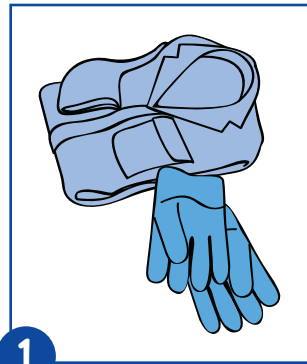
JANGRO Product Guide



Sovereign Heavy Duty Satin Floor Polish BD210-5



Health & Safety
Please refer to relevant
COSHH Sheet.



1

Put on PPE.



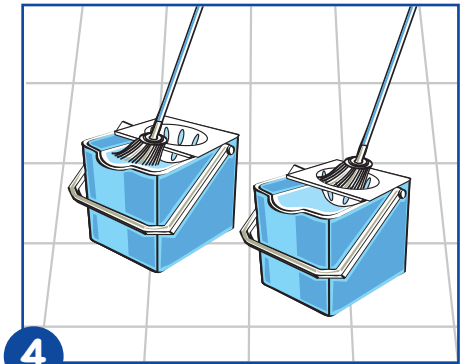
2

Place safety signs.



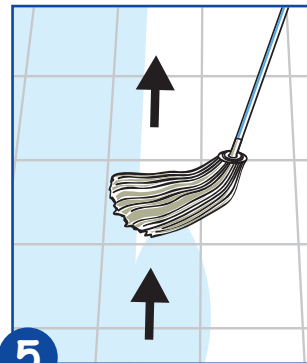
3

Pour polish into bucket or tray.
(undiluted).



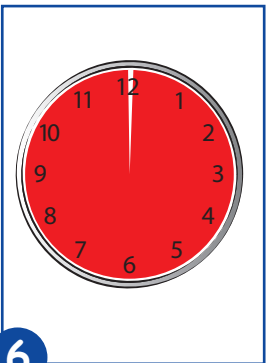
4

Place mop or applicator
into polish. Lightly squeeze
out surplus.



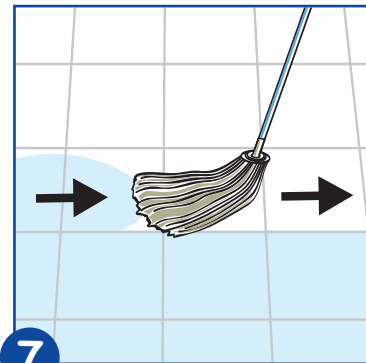
5

Apply polish to dry
floor thinly and evenly.



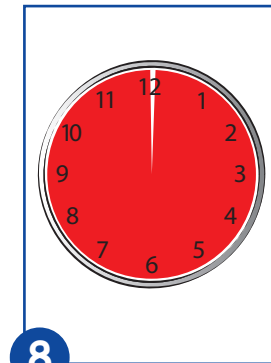
6

Leave to dry for
60 minutes.



7

Apply a further coat of
polish leaving 10cm gap from
skirting board.



8

Leave to dry for
60 minutes.



9

Remove safety
signs.